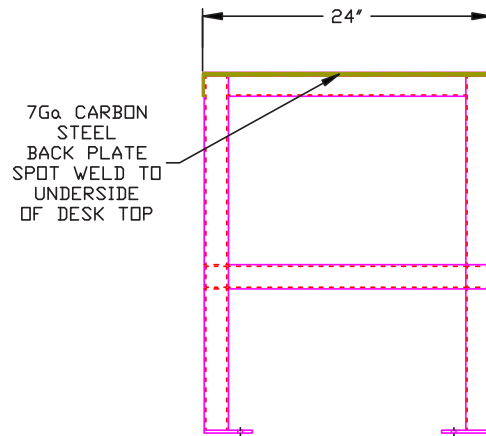
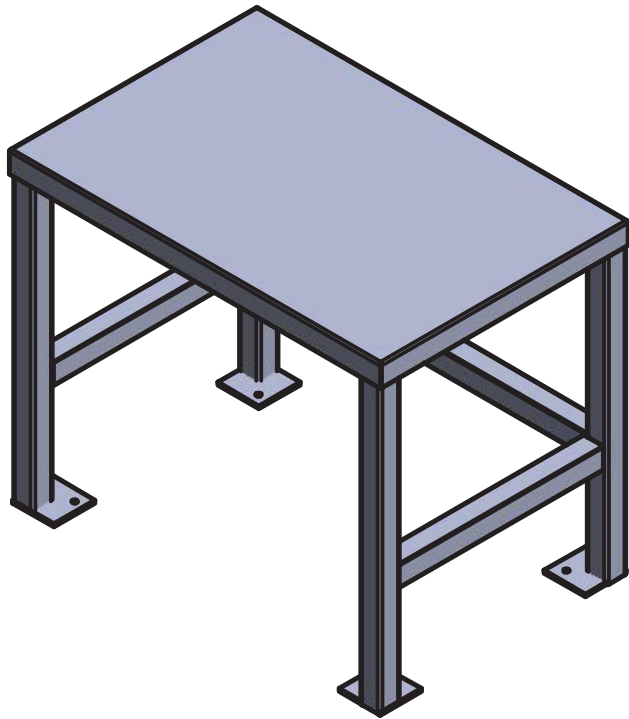


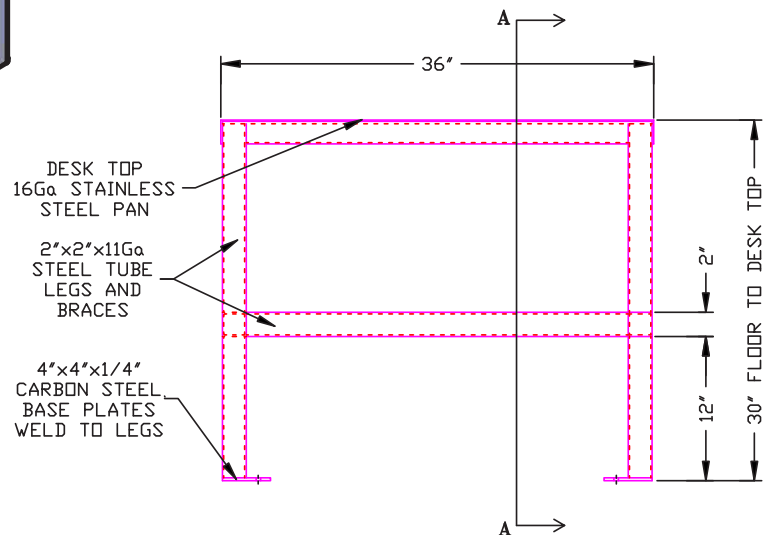
# THE G-S COMPANY

web WWW.G-SCO.COM • email SALES@G-SCO.COM • phone 410-284-9549 • fax 410-282-6499

## GS1022 Floor Mounted Interview Desk



A-A  
VERTICAL SECTION



ELEVATION

### SPECIFICATIONS

- Desktop: 16Ga Type 304 stainless steel pan with 2" flanges at all 4 sides.
- Backplate: 3/16" thick carbon steel plate welded to desktop and tube legs.
- Desk legs: 2" x 2" x 11Ga steel tubes welded to carbon steel backplate and desktop flanges.
- Base plate: 4" x 4" x 1/4" steel plates with 1 hole for Ø3/8" anchor bolt welded to tube legs.
- Horizontal braces: 2" x 2" x 11Ga steel tube welded to desk legs at each side and in the back of desk only.
- Finish: #4 finish for stainless steel stool top, one coat of rust inhibitive red prime for all ferrous surfaces.

Special order finishes and materials available upon request.