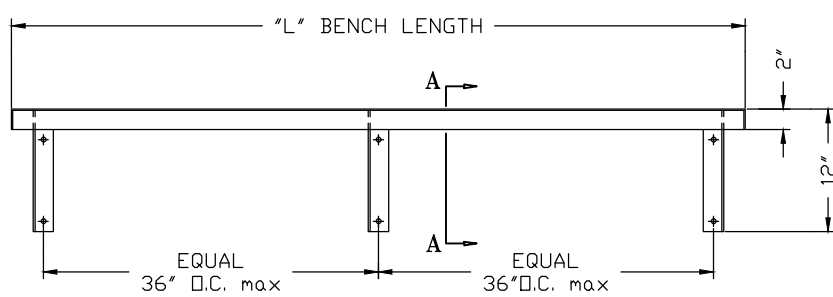
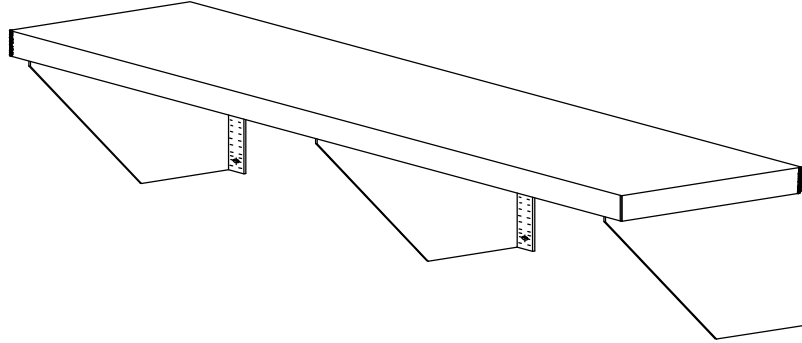
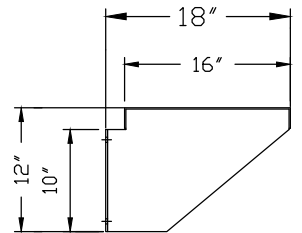


GS3510 WALL MOUNT DETENTION BENCH



ELEVATION
WALL MOUNTED BENCH



SECTION A-A
WALL MOUNTED BENCH

SPECIFICATIONS

WALL MOUNT DETENTION BENCH

- Seat top: 10Ga Stainless or Carbon steel bench top with 2" flanges at all 4 sides.
- Wall bracket: 3/16" Carbon steel, bent plate, bracket with 2 holes for Ø3/8" masonry anchor bolts
- Standard Finish: #4 finish for stainless steel top, one coat of rust inhibitive red primer for all ferrous (non stainless) surfaces.
- Cuff Rings or Cuff Bars Available. Contact The G-S Company for details

Other finishes and materials available upon request as a special order.
Custom sizes available.

BENCH WITH STAINLESS STEEL TOP

- STANDARD LENGTHS:
 #GS3510SS-24 (24" LONG);
 #GS3510SS-36 (36" LONG);
 #GS3510SS-48 (48" LONG);
 #GS3510SS-72 (72" LONG);
 #GS3510SS-84 (84" LONG);
 #GS3510SS-96 (96" LONG)

BENCH WITH CARBON STEEL TOP

- STANDARD LENGTHS:
 #GS3510CS-24 (24" LONG);
 #GS3510CS-36 (36" LONG);
 #GS3510CS-48 (48" LONG);
 #GS3510CS-72 (72" LONG);
 #GS3510CS-84 (84" LONG);
 #GS3510CS-96 (96" LONG)