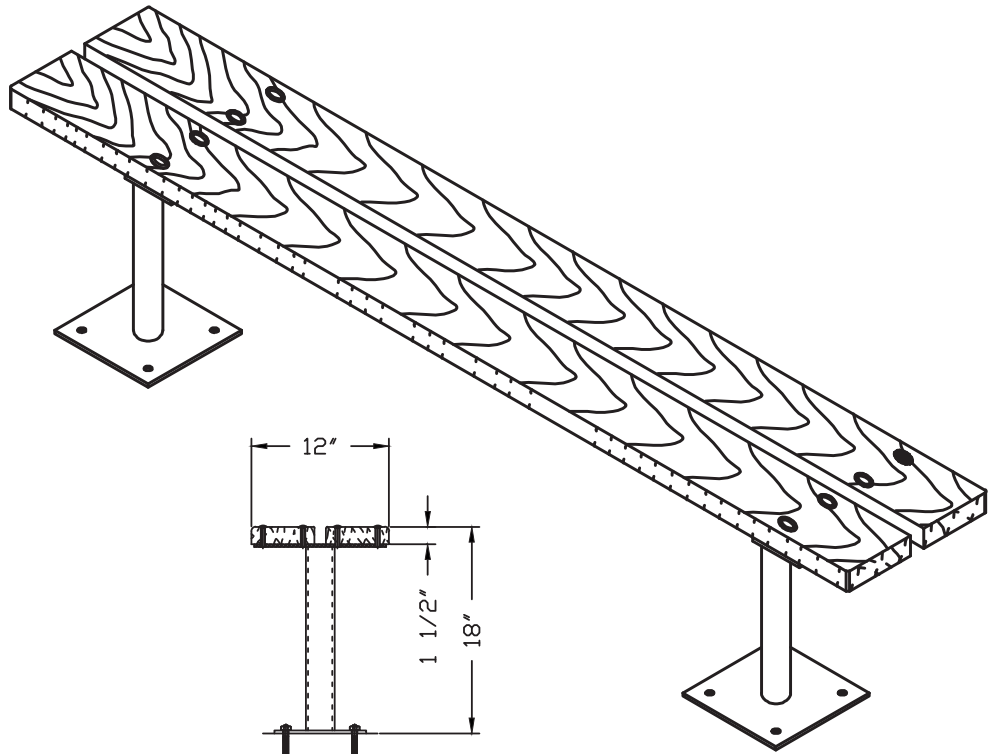


THE G-S COMPANY

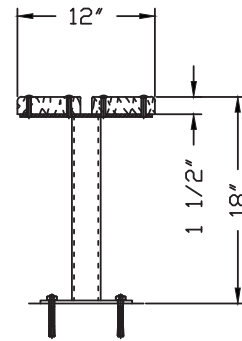
web WWW.G-SCO.COM • email SALES@G-SCO.COM • phone 410-284-9549 • fax 410-282-6499

GS3560 Floor Mount Oak Top Detention Bench

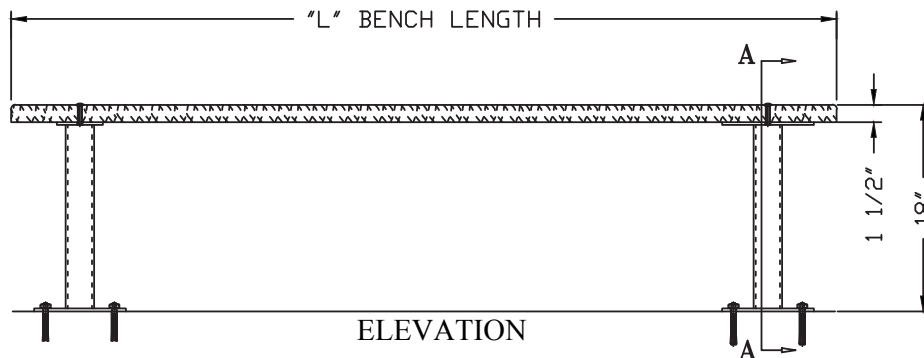


STANDARD LENGTHS

- #GS3560-24 (24" long)
- #GS3560-36 (36" long)
- #GS3560-48 (48" long)
- #GS3560-60 (60" long)
- #GS3560-72 (72" long)



SECTION A-A



SPECIFICATIONS

- Seat top: 6" nom. (5 1/2") x 2" nom. (1 1/2") red oak planks with 3/8" round-over edges.
- Support plate: 4" x 4" steel plate with holes for Ø5/16" carriage bolts.
- Support: Ø2 1/2" nom. (2 7/8" O.D.) schedule 40 pipe welded to 4" x 1/4" top and base plate at bottom.
- Base plate: 8" x 8" x 1/4" steel plate with 4 holes for Ø3/8" anchor bolts.
- Standard Finish: Clear Satin Polyurethane for wood top and gray enamel for steel supports.
- Cuff Rings available on request.

A full specification is available upon request.