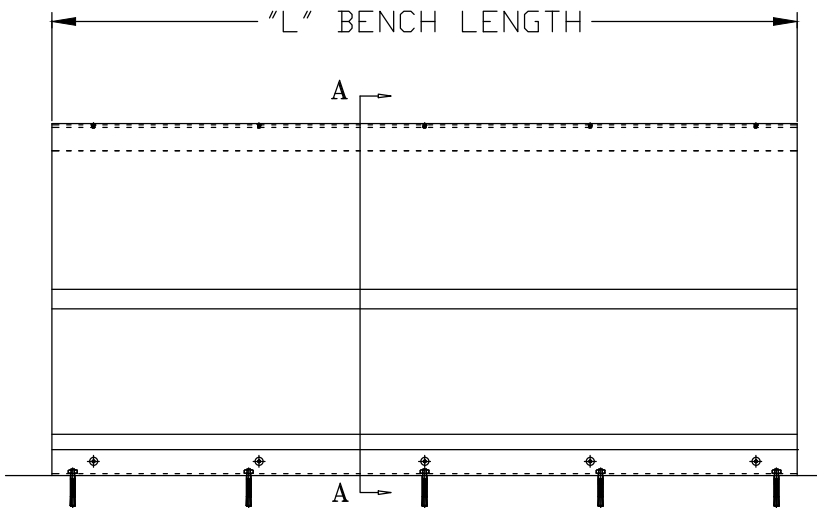
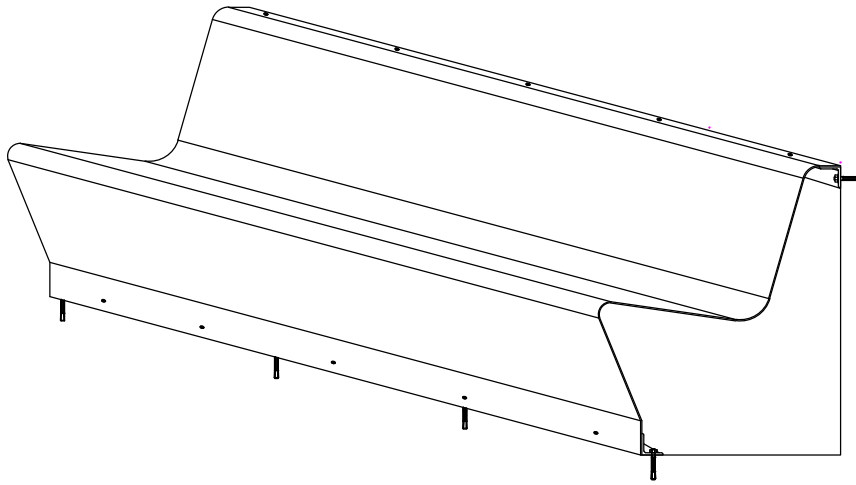
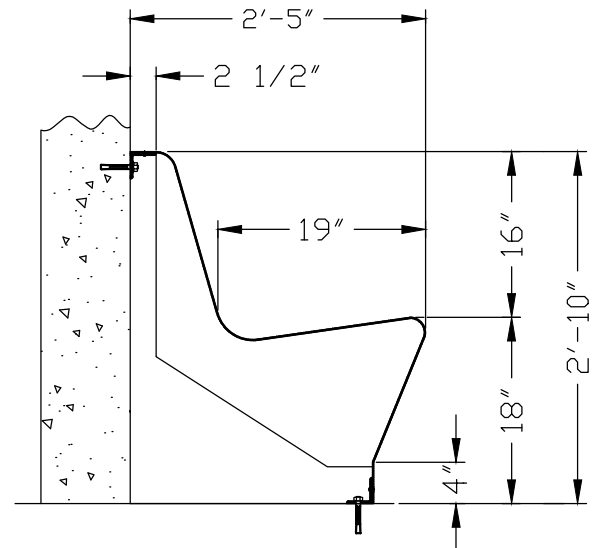


# GS3570 FLOOR MOUNT CONTOURED DETENTION BENCH



ELEVATION  
FLOOR MOUNTED CONTOURED BENCH



SECTION A-A  
FLOOR MOUNTED CONTOURED BENCH

## SPECIFICATIONS

### FLOOR MOUNT CONTOURED DETENTION BENCH

- Seat top: 12Ga Stainless or 10Ga Carbon steel contoured bench shell
- Wall & floor attachment: Steel angles with holes for anchor bolts and drilled and tapped holes for shell to angle attachment
- Standard Finish: #4 finish for stainless steel top, one coat of rust inhibitive red primer for all ferrous (non stainless) surfaces.

Other finishes and materials available upon request as a special order.

BENCHES AVAILABLE IN ANY LENGTHS AS REQUIRED BY FIELD DIMENSIONS AND CONDITIONS