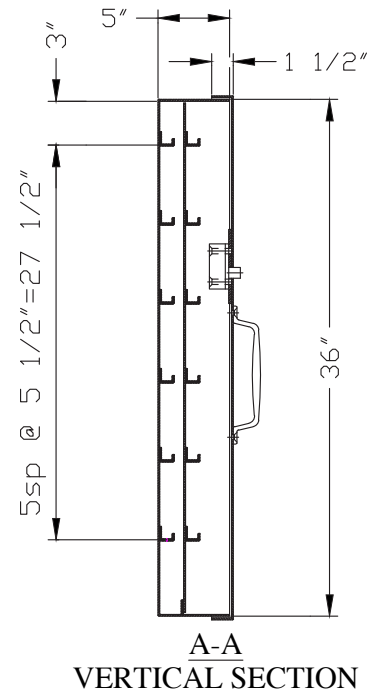
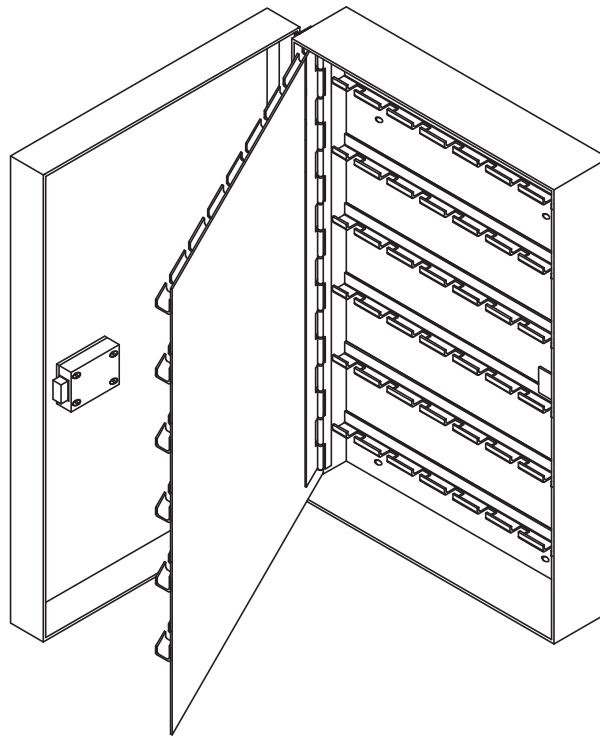
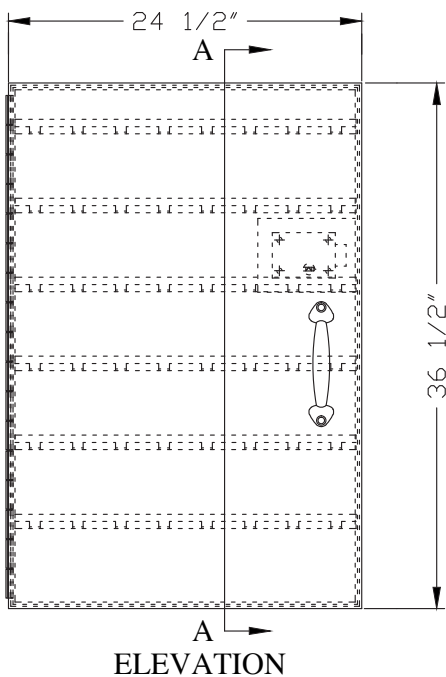


# THE G-S COMPANY

web WWW.G-SCO.COM • email SALES@G-SCO.COM • phone 410-284-9549 • fax 410-282-6499

## GS5061 Detention Key Cabinet with Hinged Door & Additional Hinged Panel



### SPECIFICATIONS

- Cabinet: 10Ga steel bent plate pan with 4 holes for Ø3/8" anchor bolts.
- Door: 10Ga steel bent plate pan with flanges at all 4 sides prepped for lock and door pull.
- Key hooks: 10Ga steel, bent plate channel with 2 unequal flanges.
- Hinge: Heavy duty continuous hinge, full door height.
- Door pull: Raised type.
- Lock: Detention deadbolt.
- Capacity: Can hold up to 400 paracentric keys.
- Finish: one coat of our standard shop applied rust inhibitive red primer.

Special order finishes and materials available upon request.