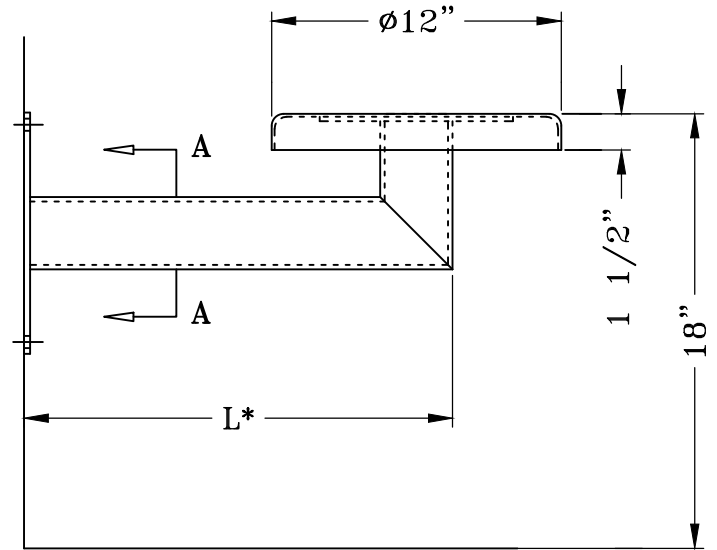
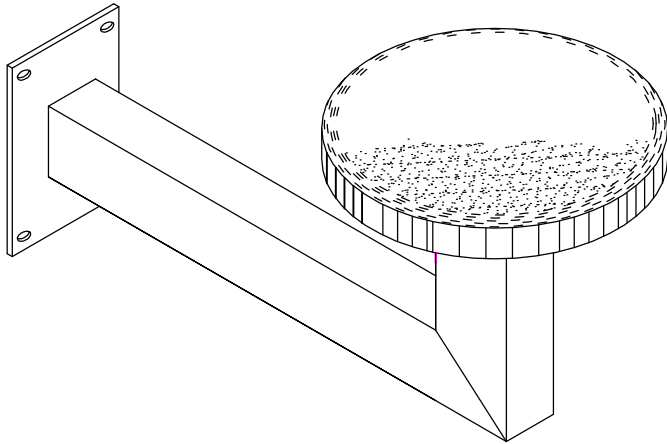
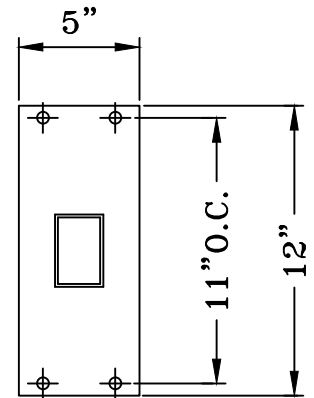


GS6012 WALL MOUNT FIXED STOOL



ELEVATION



SECTION A-A

SPECIFICATIONS

WALL MOUNT FIXED STOOL WITH STAINLESS TOP

- Seat top: 14Ga Type 304 stainless steel top Ø12" with 1 1/2" flange.
- Back plate: 7"x7"x3/16" steel plate welded to seat top and tube arm.
- Vertical and horizontal arm tubes: 2"x3"x11Ga steel tube.
- Wall plate: 5"x12"x1/4" steel plate with 4 holes for Ø3/8" Torx Anchor Bolts
- Finish: #4 finish for stainless steel stool top,
one coat of rust inhibitive red prime for all ferrous surfaces.
- Other finishes and materials available upon request as a special order.

* L - arm length is job specific, to be determined per job requirements