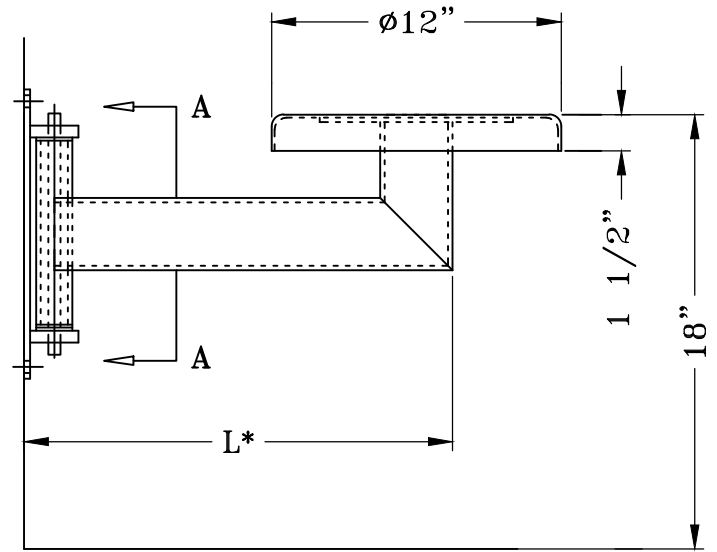
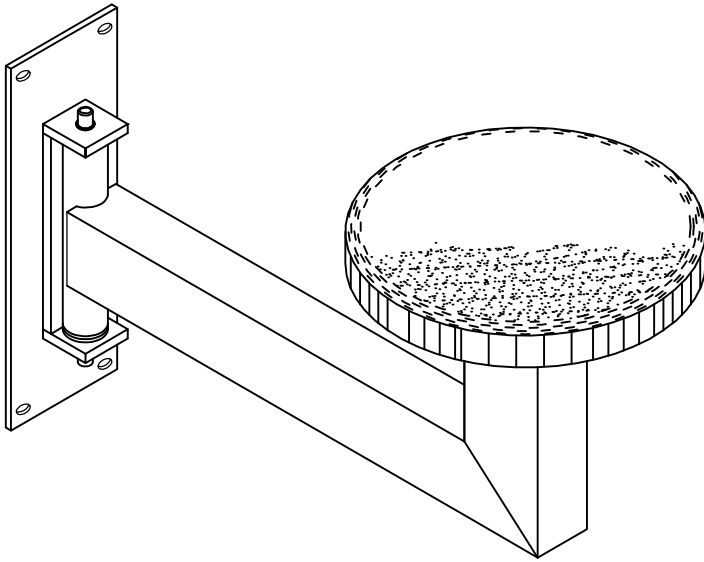
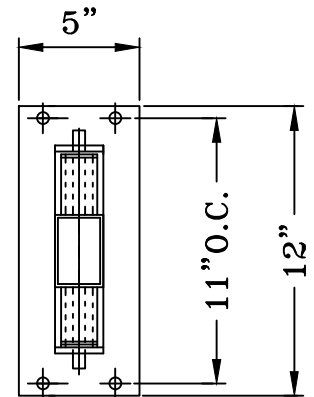


# GS6013 WALL MOUNT SWINGING STOOL



ELEVATION



SECTION A-A

## SPECIFICATIONS

### WALL MOUNT SWINGING STOOL WITH STAINLESS TOP

- Seat top: 14Ga Type 304 stainless steel top  $\phi 12''$  with  $1\ 1/2''$  flange.
- Back plate:  $7'' \times 7'' \times 3/16''$  steel plate welded to seat top and tube arm.
- Vertical and horizontal arm tubes:  $2'' \times 3'' \times 11\text{Ga}$  steel tube.
- Wall plate:  $5'' \times 12'' \times 1/4''$  steel plate with 4 holes for  $\phi 3/8''$  Torx Anchor Bolts.
- Pivot:  $\phi 1/2''$  steel rod rotating inside  $\phi 1\ 1/2''\text{nom.}(1\ 7/8''\text{O.D.})$  schedule 40 pipe.
- Finish: #4 finish for stainless steel stool top,  
one coat of rust inhibitive red primer for all ferrous surfaces.
- Other finishes and materials available upon request as a special order.

\* L - arm length is job specific, to be determined per job requirements