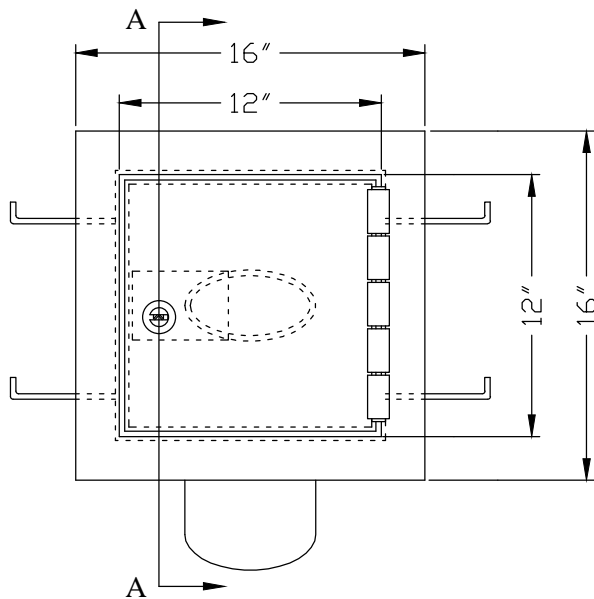
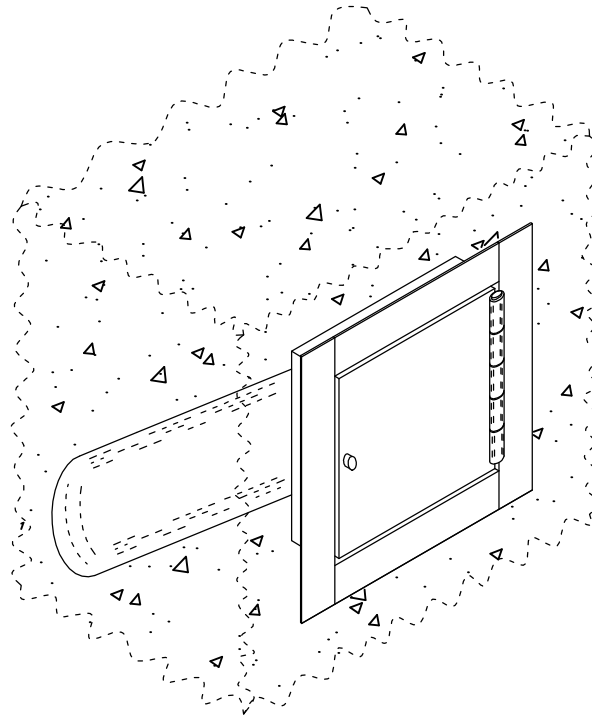
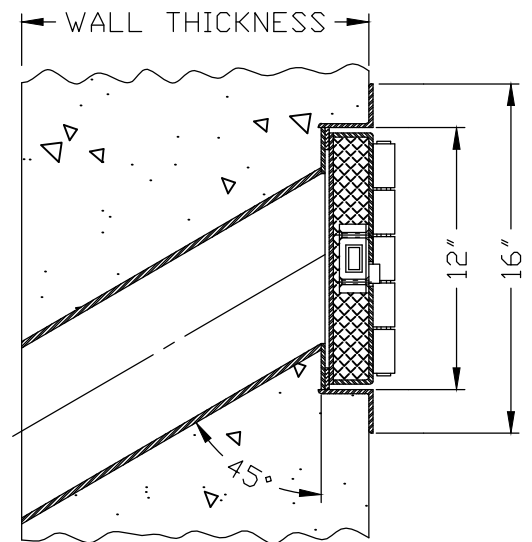


GS7040 ANGLED PIPE TEAR GAS PORT WITH HINGED DOOR



ELEVATION
ANGLED PIPE TEAR GAS PORT
WITH HINGED AND LOCKABLE DOOR



A-A
VERTICAL SECTION
THROUGH ANGLED PIPE TEAR GAS PORT

SPECIFICATIONS

ANGLED PIPE TEAR GAS PORT WITH HINGED DOOR

- Door: 3/16" steel plate hinged door with insulation
- Frame: 2"x2 1/2"x3/16" steel angle frame with 3/16" back plate welded to open side of frame.
- Angled pipe: Ø6"nom. steel pipe welded to back plate of door frame.
- Paracentric deadbolt lock.
- Smoke seals attached to back plate of frame.
- Finish: one coat of our standard shop applied rust inhibitive red primer.