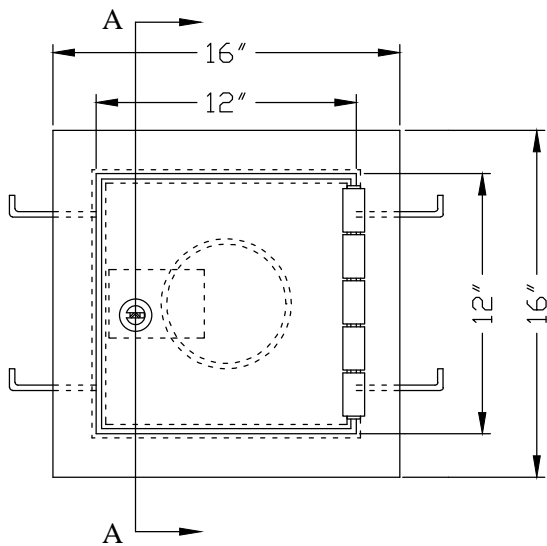
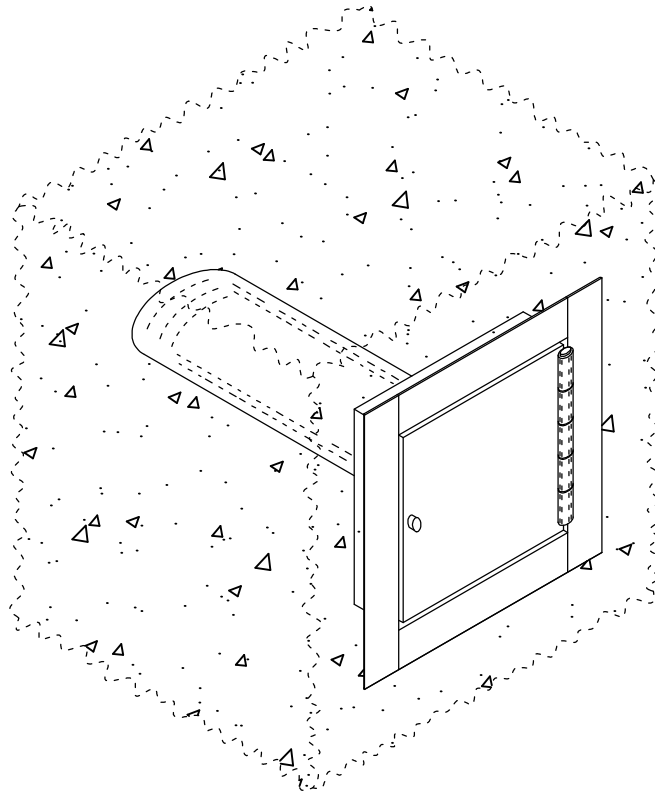
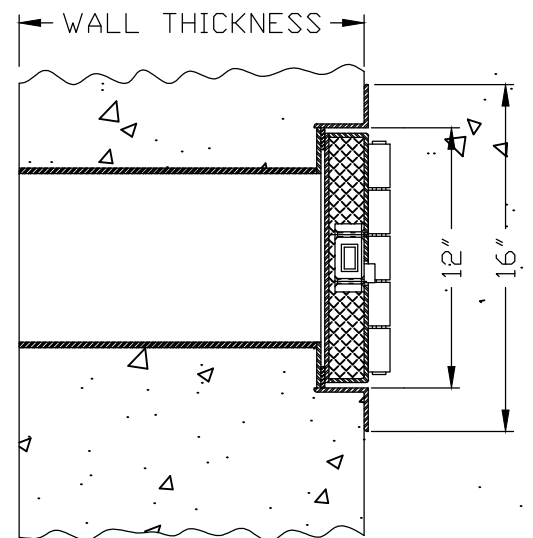


# GS7045 THRU-WALL TEAR GAS PORT WITH HINGED DOOR



ELEVATION  
THRU-WALL TEAR GAS PORT  
WITH HINGED AND LOCKABLE DOOR



A-A  
VERTICAL SECTION  
THRU-WALL TEAR GAS PORT

## SPECIFICATIONS

### THRU-WALL PIPE TEAR GAS PORT WITH HINGED DOOR

- Door: 3/16" steel plate hinged door with insulation
- Frame: 2"x2 1/2"x3/16" steel angle frame with 3/16" back plate welded to open side of frame.
- Thru-wall pipe: Ø6"nom. steel pipe welded to back plate of door frame.
- Paracentric deadbolt lock.
- Smoke seals attached to back plate of frame.
- Finish: one coat of our standard shop applied rust inhibitive red primer.