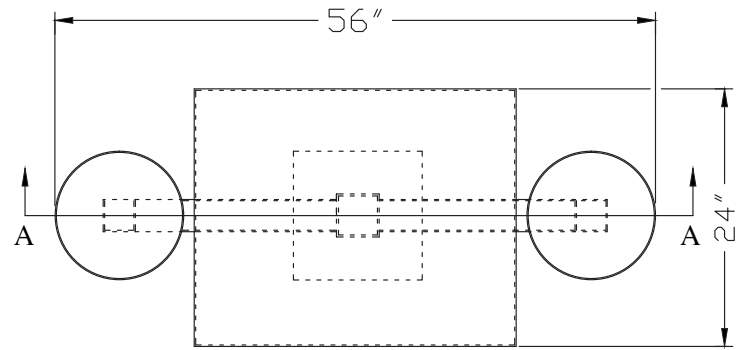
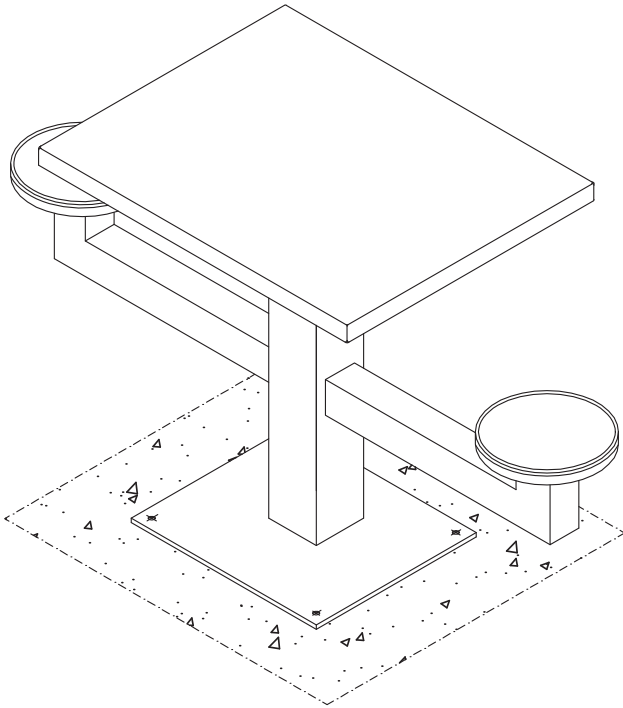


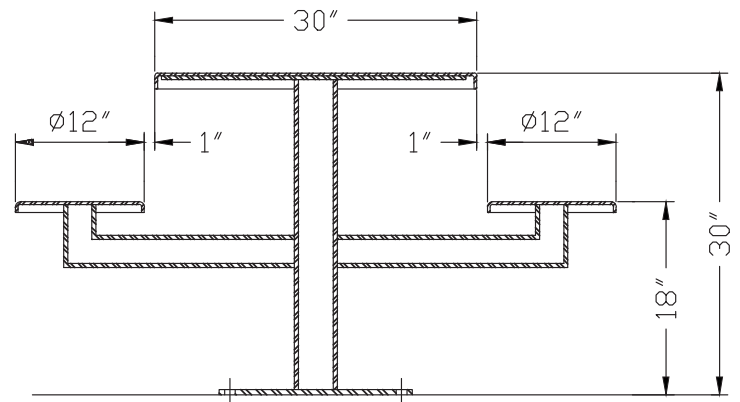
THE G-S COMPANY

web WWW.G-SCO.COM • email SALES@G-SCO.COM • phone 410-284-9549 • fax 410-282-6499

GS8010 Floor Mount 2-Man Pedestal Table



PLAN VIEW



A-A
VERTICAL SECTION

SPECIFICATIONS

- Table top: 10Ga stainless steel pan with 1.5" flanges at all 4 sides.
- Back plate: 3/16" carbon steel plate welded to stainless steel top.
- Pedestal: 4" x 4" x 3/16" steel tube welded to base plate.
- Seat: Ø12" stainless steel polished seats.
- Seat arms: 3" x 3" x 3/16" steel tube.
- Base plate: 18" x 18" x 1/4" steel plate with 4 holes for Ø3/8" Torx Secure - Bolt Sleeve Anchors.
- Standard finish: #4 finish for stainless steel top and seats, one coat of rust inhibitive red primer for all ferrous (non stainless) surfaces.

Special order finishes and materials available upon request.