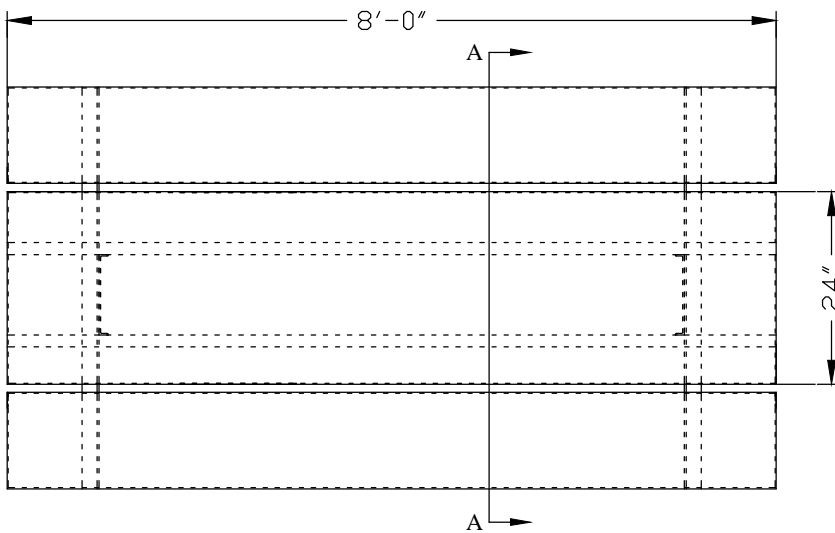
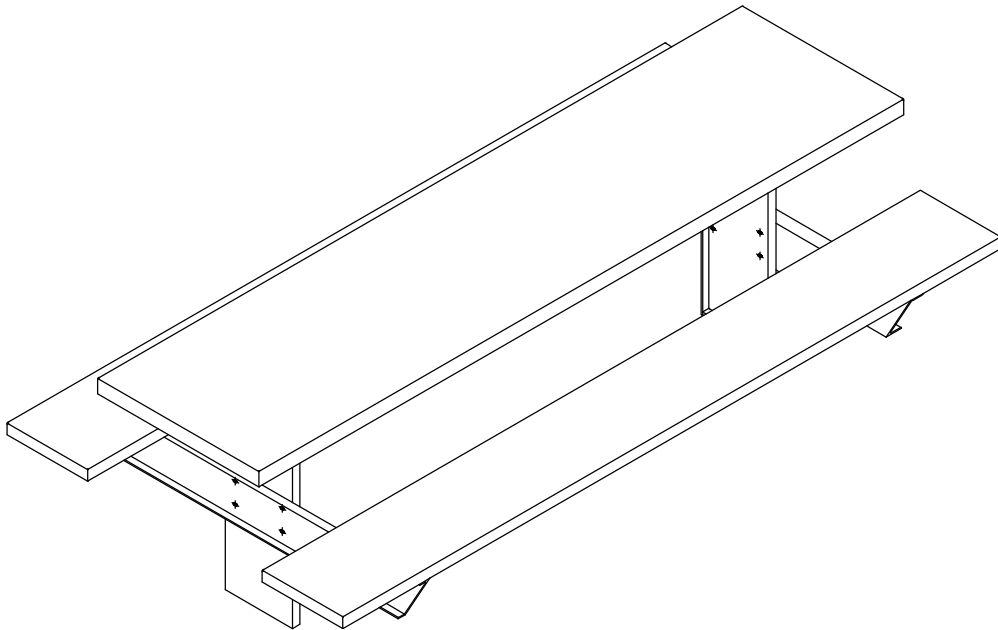
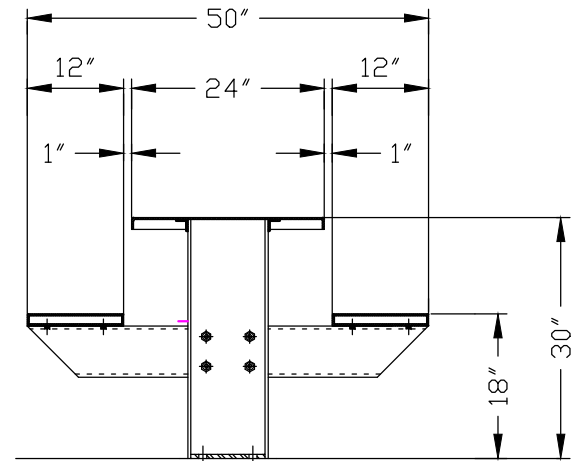


GS8016 FLOOR MOUNT 8 MAN TABLE WITH BENCH



PLAN VIEW
8 MAN TABLE WITH BENCH



A-A
VERTICAL SECTION
THROUGH 8 MAN TABLE WITH BENCH

SPECIFICATIONS

8 MAN FLOOR MOUNT TABLE WITH BENCH

- Table top: 24" wide, 12Ga Stainless steel pan with 1 1/2" flanges at all 4 sides.
- Stiffeners: 1 1/2"x1 1/2"x1/4" steel angle, full length of table top, welded to table top.
- Vertical Supports: 10x6.4# steel stringer channel with 3/8" base plate with holes for Ø3/8" anchor bolts.
- Bench top: 12" wide, 12Ga stainless steel pan with 1 1/2" flanges at all 4 sides.
- Bench arms: C6x8.2 steel channel bolted to vertical supports in field. Weld bolt heads after assembling.
- Base plate: 3/8" steel plate with holes for Ø3/8" Torx Secure - Bolt Sleeve Anchors weld to vertical supports
- Standard Finish: #4 finish for stainless steel top and seats, one coat of rust inhibitive red primer for all ferrous (non stainless) surfaces.

Other finishes and materials available upon request as a special order.