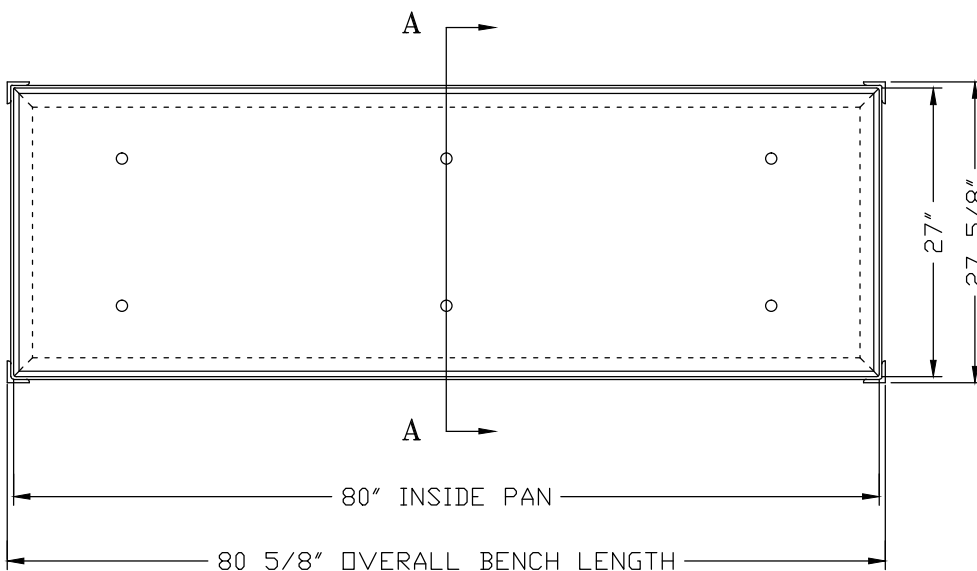
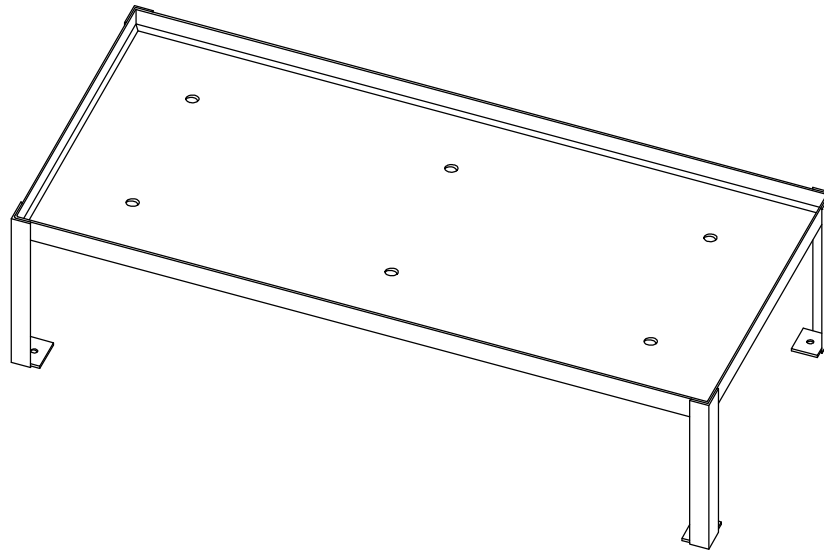
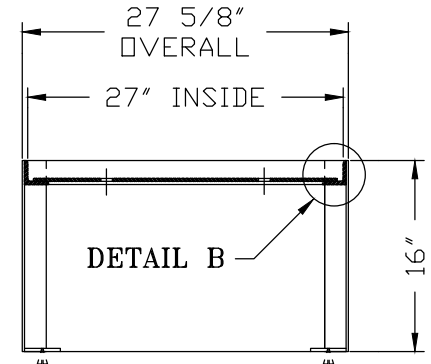
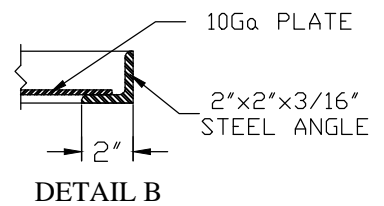


GS9020 FLOOR MOUNT SINGLE DETENTION BUNK



PLAN VIEW
FLOOR MOUNT SINGLE DETENTION BUNK



SECTION A-A
THROUGH FLOOR MOUNT
SINGLE BUNK

SPECIFICATIONS

FLOOR MOUNT SINGLE DETENTION BUNK

- Bunk pan: 2"x2"x3/16" steel angle frame with 10Ga steel plate at bottom welded to angle frame. Bottom plate to have 6 holes Ø1"
- Legs: 2"x2"x3/16" vertical steel angle legs welded to steel angle frame at 4 corners.
- Base plate: 3"x3"x1/4" steel base plate with holes for Ø3/8" anchor bolts, welded to angle legs.
- Finish: one coat of our standart, rust inhibitive, red primer.
- Towel bar and Property Bin available.

Bunks also available 76 5/8" long and 30 5/8" wide

Other finishes and materials available upon request as a special order.